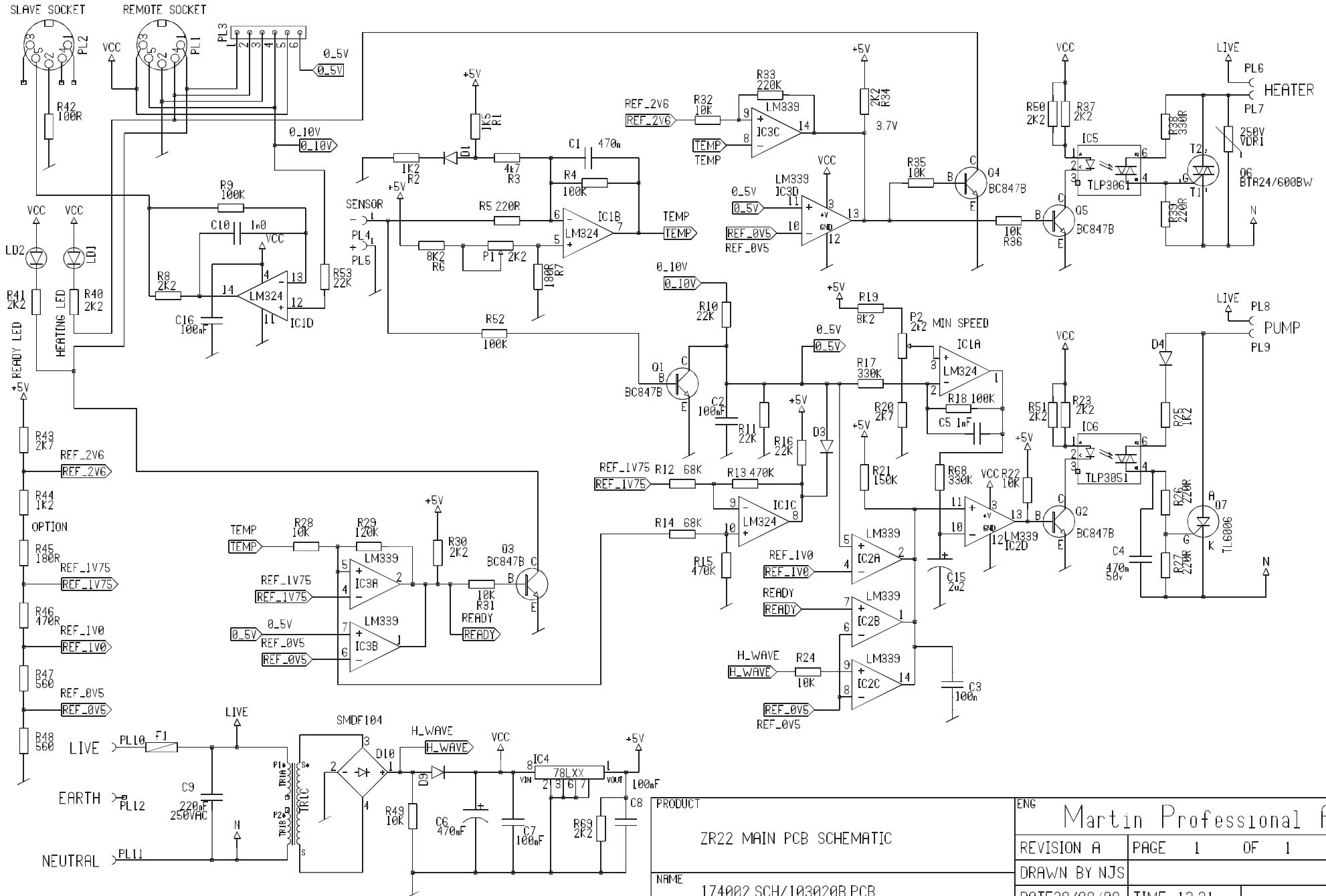
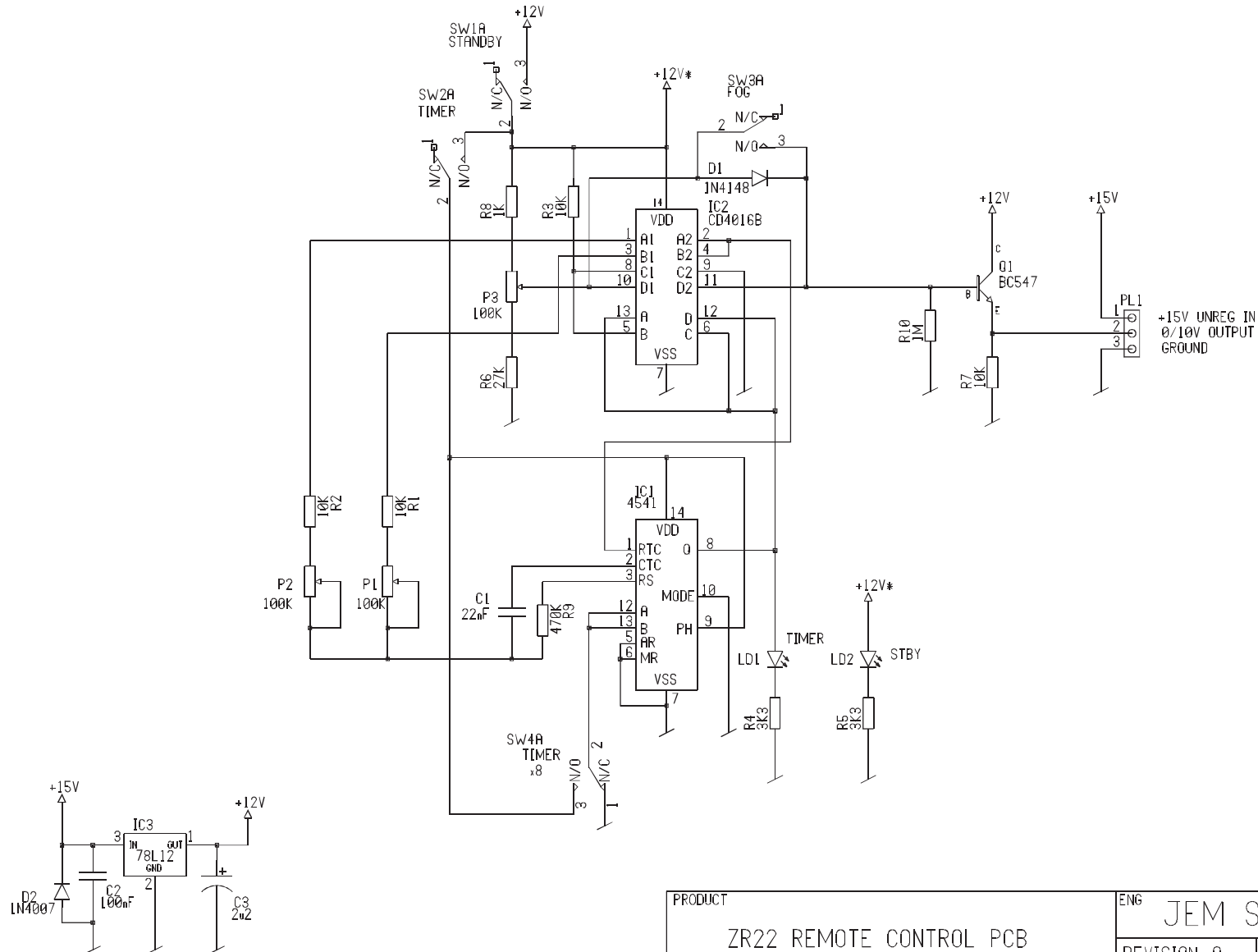


PRODUCT		ENG	
ZR22 DMX DECODER PCB		Martin Professional A/S	
REVISION A	PAGE	1	OF 2
NAME		DRAWN BY BH	
174004 SCH/101122A PCB		DATE 22/3/99	
		TIME 15 35	



PRODUCT	ENG Martin Professional A/S		
ZR22 MAIN PCB SCHEMATIC	REVISION A	PAGE 1	OF 1
NAME	DRAWN BY NJS		
174002 SCH/103020B PCB	DATE 28/08/98	TIME 13 31	



PRODUCT		ENG	
ZR22 REMOTE CONTROL PCB		JEM SMOKE PLC	
REVISION A	PAGE 1	OF 1	
NAME		DRAWN BY NJS	
174005 SCH/37045A PCB		DATE 20/8/98	TIME 10:57